

## Counter Units for Slickline and Wireline Units



## Description

Accurate depth measuring is a fundamental requirement for successful Wireline operation. Accurate weight measuring is essential to avoid overloading and exceeding the break (tensile) strength of the Wireline. Also to indicate changes downhole in the load on the Line, such as release of the load when setting tools, „stuck tool“ situation, or a break in Line or other loss of load.

Leutert Meters and Indicators are most accurate, durable and cost-effective, and they are fully compatible with all Leutert Wireline units as well as most other manufacturers' Units.

English read out counters indicate hole foot units; metric readout indicate whole meter Units. A storage box for the unit while not in use can be furnished with the Leutert measuring device.



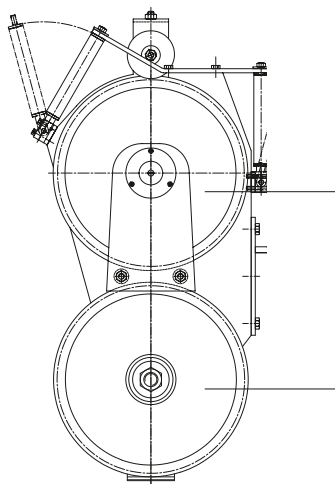
### Technical Specifications

Speed	:	max. 250 m/min.
Load	:	max. 20 kN
Depth	:	max. 10,000 m

### For Wireline Diameter Sizes

0.092"		2.34 mm
0.105"		2.67 mm
0.108"		2.75 mm
0.125" (1/8")		3.18 mm
0.187" (3/16")		4.75 mm

*other on request*



Metering roller with incremental encoder for depth and speed

Metering roller with load cell for load indication (electronic and mecnical)

